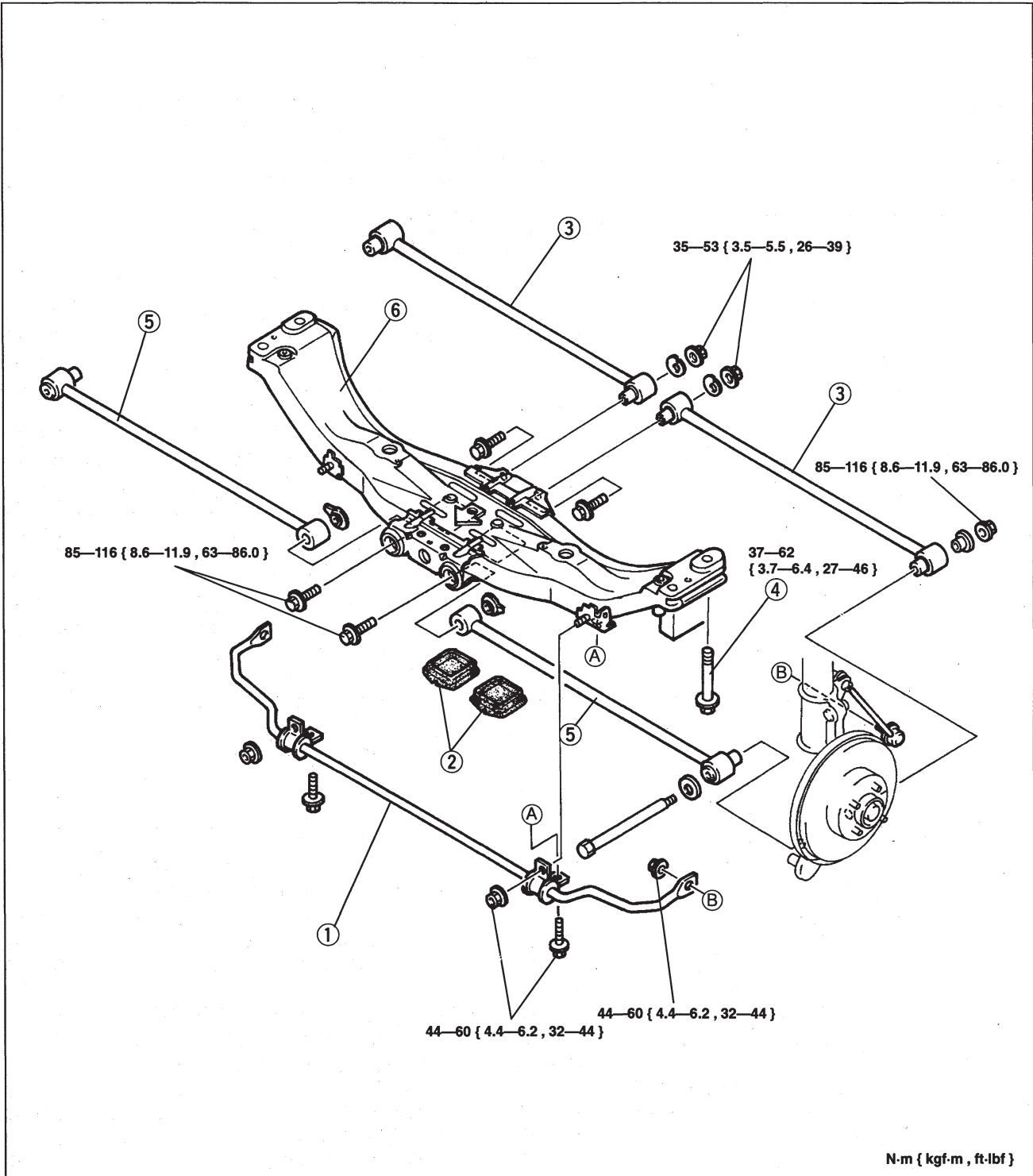


R

REAR SUSPENSION (STRUT)

REAR CROSSMEMBER

Removal / Inspection / Installation



N·m { kgf·m , ft·lbf }

- 1. Rear stabilizer bar
Removal / Inspection /
Installation page R-32
- 2. Cap
- 3. Lateral link (rear)
Removal / Inspection /
Installation page R-30

- 4. Bolt (crossmember)
Removal Note page R-31
- 5. Lateral link (front)
Removal / Inspection /
Installation page R-30
- 6. Rear crossmember
Inspect for damage and cracks