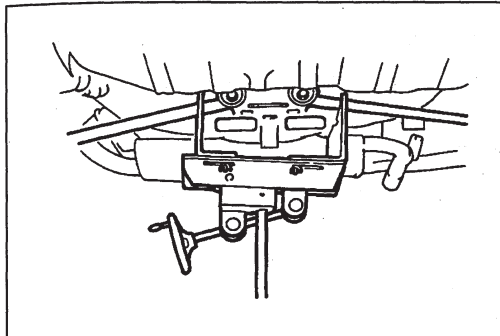


**Removal note**

**Nut, cam plate, and adjusting cam bolt**

Before loosening the nut, make a mark on the cam plate and the crossmember for reference during installation.

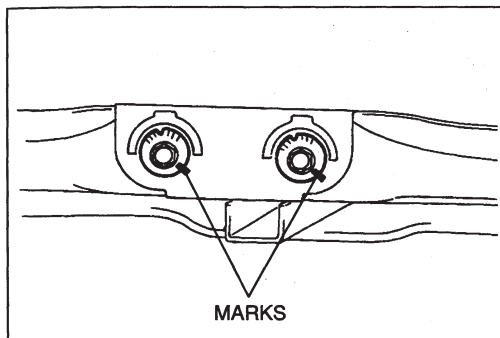


**Bolt (crossmember)**

Support the crossmember by using a jack and remove the bolts.

**Caution**

- Do not let the crossmember fall.



**Installation note**

**Nut, cam plate, and adjusting cam bolt**

1. Install the cam plate so that the notch faces the same direction as the adjusting cam bolt.
2. Align to the mark made before removing the adjusting cam bolt.