



GENUINE ACCESSORIES

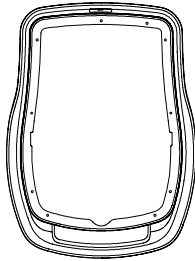
INSTALLATION INSTRUCTIONS

PART NUMBER:
0000 8F L20

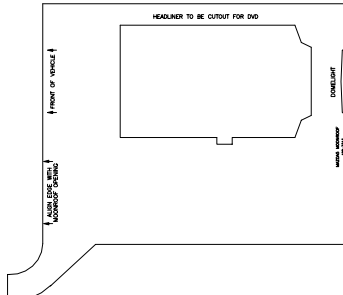
INSTALLATION KIT,
MOONROOF

APPLICABLE MODELS:
2006 > MAZDA5
MOONROOF

PACKAGE CONTENTS



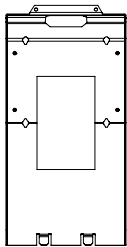
TRIM RING
0000 8F L22



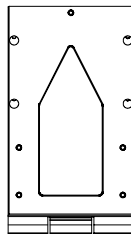
CUTTING TEMPLATE



INSTALLATION
INSTRUCTIONS



DVD MOUNTING
BRACKET (TOP)



DVD MOUNTING
BRACKET (BOTTOM)



DOMELIGHT TO DVD
HARNESS 0000 8F L12

TOOLS REQUIRED

- UTILITY KNIFE
- #2 PHILLIPS SCREWDRIVER
- MARKER
- FASTENER REMOVER
- POWERED SCREWDRIVER
- SMALL FLAT TIP SCREWDRIVER
- DIAGONAL CUTTERS
- RATCHET
- 8, 10, AND 14mm SOCKETS
- PLIERS
- FIBER STICK
- TORQUE WRENCH
- SAFETY GLASSES
- LOCTITE
- PROTECTIVE CLOTH
- MASKING TAPE

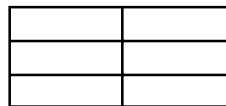
HARDWARE KIT 0000 8F L24



TIE WRAP THICK (QTY 8)



TIE WRAP THIN (QTY 2)



FOAM TAPE STRIPS (QTY 12pcs.)



CRIMP LOCK
(QTY 2)



RUBBER PLUG
(QTY 1)



SELF-DRILLING
SCREWS (QTY 2)



TRIM RING
SCREWS (QTY 11)



DVD ASSEMBLY MOUNTING M5
x 16mm SCREWS (QTY 5)



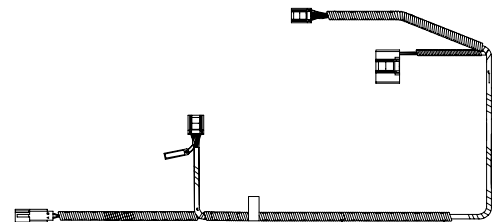
M5 NUTS
(QTY 4)



FOAM BLOCK
(QTY 2)



POWER HARNESS 0000 8F L13



DVD MAIN HARNESS 0000 8F L14

NOTE: ILLUSTRATIONS ARE GENERIC AND MAY NOT LOOK EXACTLY LIKE THE ACTUAL PARTS

0

BEFORE INSTALLATION

1. ACQUIRE 0000-8F-F40 MAIN KIT (required with installation kit).
2. SET PARKING BRAKE.
3. CLEAN HANDS & TOOLS.
4. RECORD RADIO PRESETS.
5. DISCONNECT NEGATIVE BATTERY CABLE.

128-7416A

1 of 19

1 REMOVE VEHICLE COMPONENTS

1. SIDE WALL REMOVAL CENTER CONSOLE

- 1.) DETACH CLIPS A AND TAB B IN THE ORDER OF TOP TO BOTTOM. (SEE FIGURE 1)
- 2.) REMOVE THE DRIVER AND PASSENGER SIDE WALL BY PULLING IT OUTWARD.

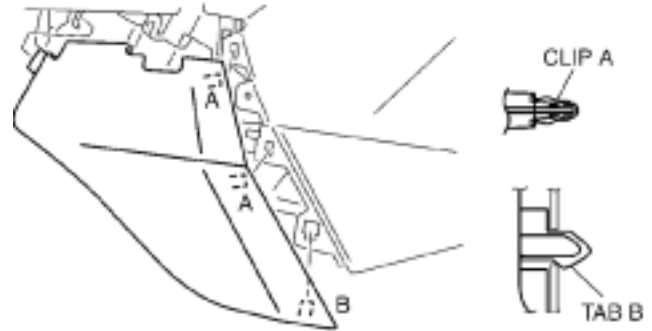


FIGURE 1

2. FRONT CONSOLE

- 1.) REMOVE THE SHIFT LEVER KNOB.
- 2.) USE A FIBER STICK TO PULL THE INDICATOR PANEL, BOOT PANEL UPWARD AND DETACH CLIPS A. (SEE FIGURE 2)
- 3.) DISCONNECT THE CAR-NAVIGATION CONTROL SWITCH CONNECTOR. (VEHICLES WITH CAR NAVIGATION SYSTEM)

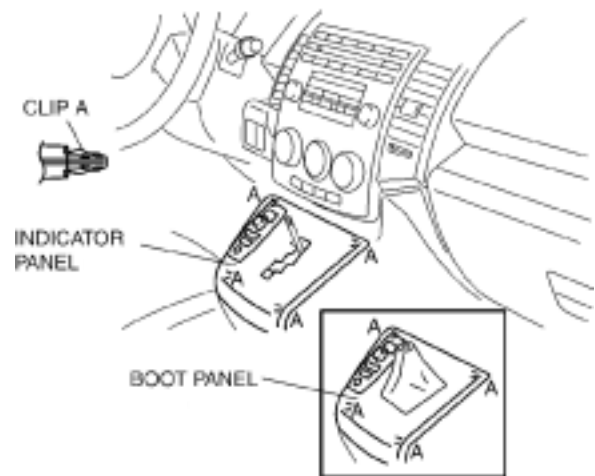


FIGURE 2

3. FRONT CONSOLE INDICATOR PANEL

- 1.) REMOVE THE TWO SCREWS FROM THE FRONT OF THE INDICATOR PANEL (A).
- 2.) REMOVE THE TWO SCREWS LOCATED ON EITHER SIDE OF THE INDICATOR PANEL (B).
- 3.) PLACE THE VEHICLE IN NEUTRAL.
- 4.) PULL THE FRONT CONSOLE OUTWARD AND DETACH CLIPS C AND TABS D.
- 5.) DISCONNECT THE 12 VDC POWER SOURCE CONNECTOR.
- 6.) REMOVE THE FRONT CONSOLE.

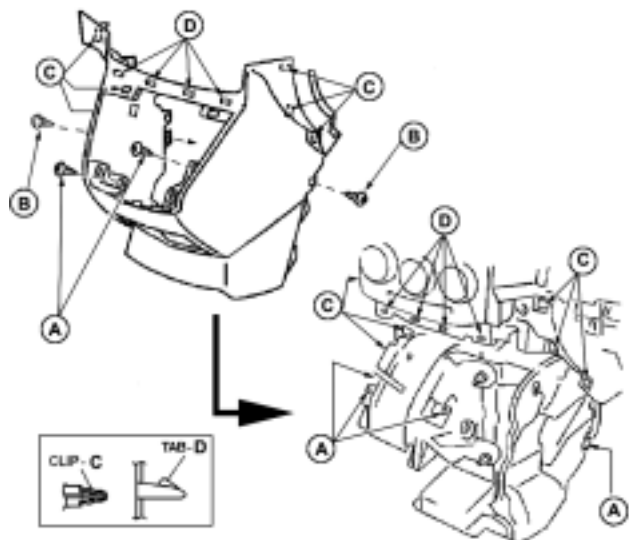


FIGURE 3

1 REMOVE VEHICLE COMPONENTS (CONTINUED)

CAUTION:

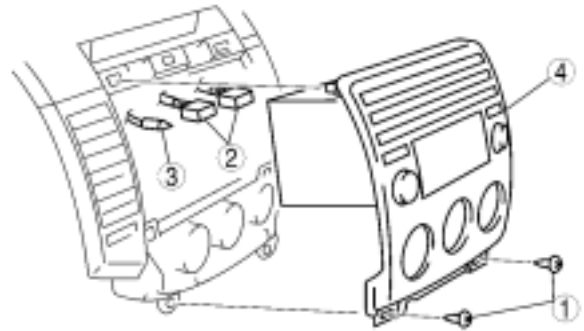
- BEFORE DISASSEMBLING THE CENTER PANEL UNIT, SPREAD A PROTECTIVE CLOTH ON THE FLOOR TO PUT THE DISASSEMBLED PARTS ON. THIS PROTECTS THE SURFACE OF THE PANEL FROM SCRATCHES OR DIRT.

4. CENTER PANEL

- 1.) REMOVE THE SCREWS (X2)
- 2.) USING A FIBER STICK, CAREFULLY PULL THE CENTER PANEL UNIT OUTWARD, DETACH CLIP A FROM THE DASHBOARD. (SEE FIGURE 4)
- 3.) DISCONNECT THE CONNECTORS AND ANTENNA CABLE FROM THE BACK OF THE RADIO.
- 4.) REMOVE THE CENTER PANEL UNIT.
- 5.) REPLACE THE SHIFT LEVER KNOB.

CAUTION:

- WHEN RE-INSTALLING THE CENTER PANEL UNIT, MAKE SURE THAT THE WIRING HARNESS AND ANTENNA FEEDER ARE NOT CAUGHT BETWEEN THE UNIT AND DASHBOARD. IF THE WIRING HARNESS OR THE ANTENNA FEEDER IS CAUGHT BETWEEN THE UNIT AND DASHBOARD, IT MAY CAUSE MALFUNCTIONS.



(1 Screw 2 Connector 3 Antenna cable 4 Center panel unit)

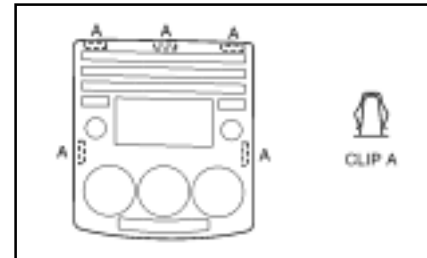


FIGURE 4

5. PASSENGER SIDE PANEL

- 1.) PULL THE SIDE PANEL OUTWARD AND DETACH CLIPS A.
- 2.) PULL THE SIDE PANEL OUTWARD AND DETACH TABS B FROM THE DASHBOARD.
- 3.) REMOVE THE SIDE PANEL. (SEE FIGURE 5)



FIGURE 5

6. FRONT DRIVER SIDE AND PASSENGER SIDE SCUFF PLATES (INNER)

- 1.) PULL THE FRONT SCUFF PLATE INNER UPWARD WHILE DETACHING TABS A, DETACH CLIPS B, PINS C AND D FROM THE BODY, AND THEN REMOVE THE FRONT SCUFF PLATE INNER. (SEE FIGURE 6)

CAUTION:

- WHEN RE-INSTALLING THE FRONT PASSENGER SIDE SCUFF PLATE, MAKE SURE THAT THE WIRING HARNESS IS NOT PINCHED. IF THE WIRING HARNESS IS PINCHED, IT MAY CAUSE MALFUNCTIONS.

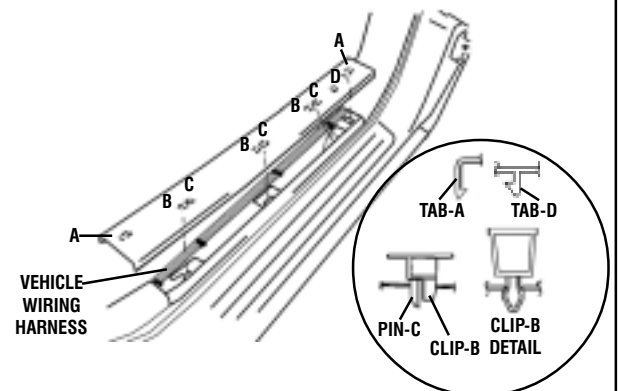


FIGURE 6

1 REMOVE VEHICLE COMPONENTS (CONTINUED)

7. FRONT PASSENGER SIDE TRIM

- 1.) REMOVE THE FRONT SCUFF PLATE INNER. (SEE FIGURE 7)
- 2.) REMOVE THE FASTENER.
- 3.) PULL THE FRONT SIDE TRIM IN THE DIRECTION SHOWN BY THE ARROW, THEN DETACH CLIP A AND LOCATOR PIN B.

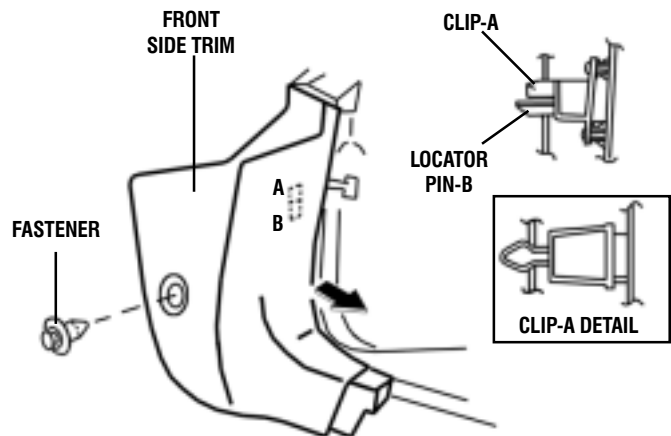


FIGURE 7

8. GLOVE COMPARTMENT LID

- 1.) PRESS THE STAY DAMPER IN THE DIRECTION SHOWN BY THE ARROW AND DETACH IT FROM THE GLOVE COMPARTMENT LID. (SEE FIGURE 8)
- 2.) WHILE PRESSING THE STOPPERS IN THE DIRECTION SHOWN BY THE ARROWS, DETACH THE STOPPERS FROM THE GLOVE COMPARTMENT LID.

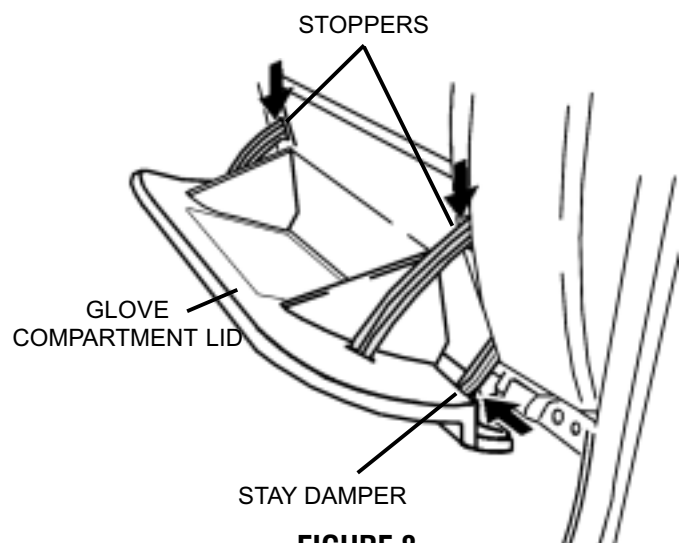


FIGURE 8

- 3.) PULL THE GLOVE COMPARTMENT LID OUTWARD WHILE LOWERING IT TO THE POSITION AS SHOWN THEN DETACH THE CLIP AND REMOVE THE GLOVE COMPARTMENT LID. (SEE FIGURE 9)

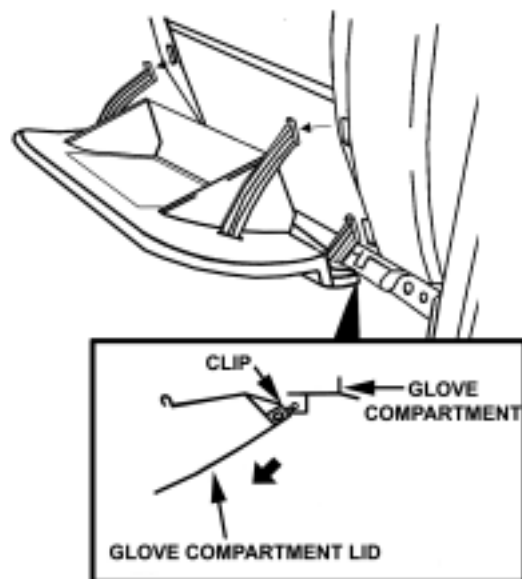


FIGURE 9

1 REMOVE VEHICLE COMPONENTS (CONTINUED)

8. GLOVE COMPARTMENT LID (CONTINUED)

- 4.) REMOVE THE 5 MOUNTING SCREWS (A).
- 5.) PULL THE GLOVE COMPARTMENT OUTWARD AND DETACH CLIPS (B).
- 6.) DISCONNECT THE GLOVE COMPARTMENT LIGHT BULB (VEHICLES WITH GLOVE COMPARTMENT LIGHT BULB).
- 7.) REMOVE THE GLOVE COMPARTMENT.

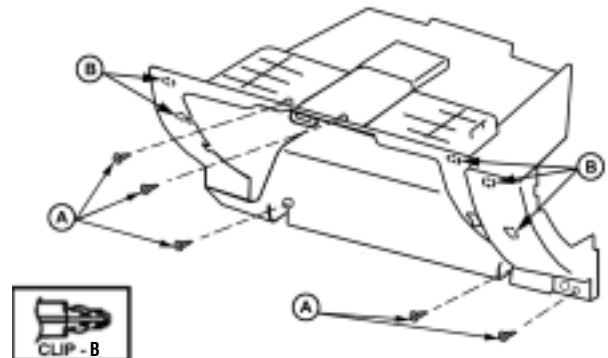


FIGURE 10

NOTE: BE EXTREMELY CAREFUL NOT TO DAMAGE THE HEADLINER WHILE PERFORMING THE PROCEDURES BELOW.

9. DRIVER SIDE AND PASSENGER SIDE A-PILLAR TRIM

CAUTION:

BEFORE PROCEEDING WITH THE FOLLOWING STEPS, SPREAD A PROTECTIVE CLOTH OVER THE SEAT AND FLOOR AREA BELOW THE SEAMING WELT.

- 1.) OPEN THE FRONT PASSENGER DOOR.
- 2.) PARTIALLY PEEL BACK THE SEAMING WELT.
- 3.) PULL THE A-PILLAR TRIM OUTWARD APPROXIMATELY 1/2".
- 4.) SLIDE THE A-PILLAR TRIM UPWARD TO REMOVE. (SEE FIGURE 11)
- 5.) PUSH CLIP B BACK INTO GROMMET HALF WAY UNTIL IT ROTATES FREELY.
- 6.) ROTATE CLIP B 45° (SEE FIGURE 12) AND REMOVE IT FROM THE GROMMET.
- 7.) INSTALL CLIP B TO THE A-PILLAR TRIM FOR REASSEMBLY.

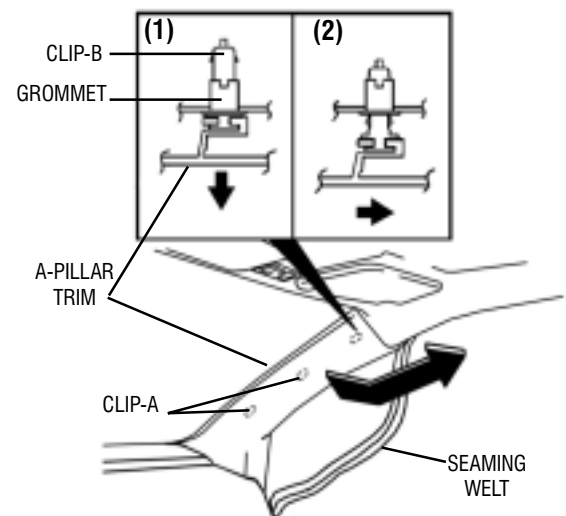


FIGURE 11

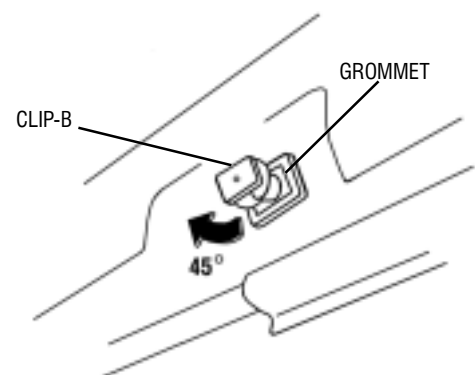


FIGURE 12

1 REMOVE VEHICLE COMPONENTS (CONTINUED)

NOTE: BE EXTREMELY CAREFUL NOT TO DAMAGE THE HEADLINER WHILE PERFORMING THE PROCEDURES BELOW.

10. DRIVER SIDE AND PASSENGER SIDE SUNVISORS

- 1.) REMOVE THE SCREW.
- 2.) UNHOOK AND REMOVE THE SUNVISOR. (SEE FIGURE 13)
- 3.) PRESS THE SUNVISOR CENTER ADAPTOR TABS AS SHOWN IN THE FIGURE USING TWO FIBER STICKS, AND REMOVE THE CENTER ADAPTOR. (SEE FIGURE 14)

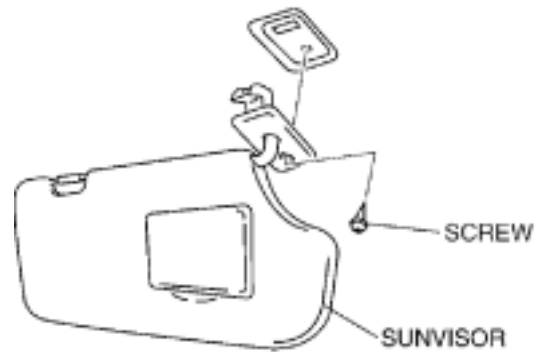


FIGURE 13

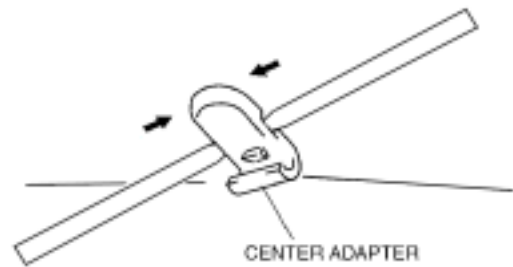


FIGURE 14

11. FRONT MAP LIGHT

- 1.) INSERT A FIBER STICK INTO THE GAP BETWEEN THE HEADLINER AND THE MAP LIGHT.
- 2.) PRESS THE TAB AND REMOVE THE MAP LIGHT. (SEE FIGURE 15)
- 3.) DISCONNECT THE SMALL CONNECTOR. (SEE FIGURE 16)

NOTE: TABS ARE LOCATED CENTER OF BOTH SIDES OF THE MAP LIGHT

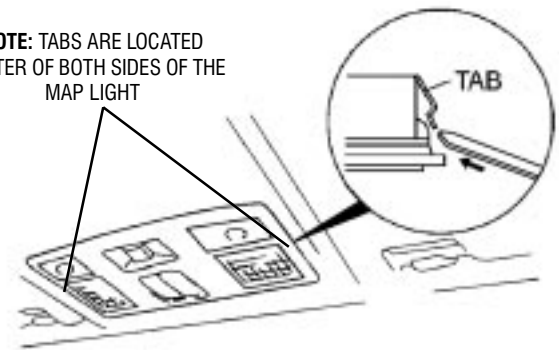


FIGURE 15

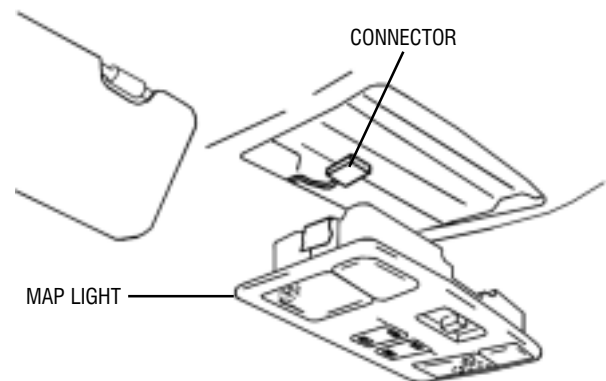


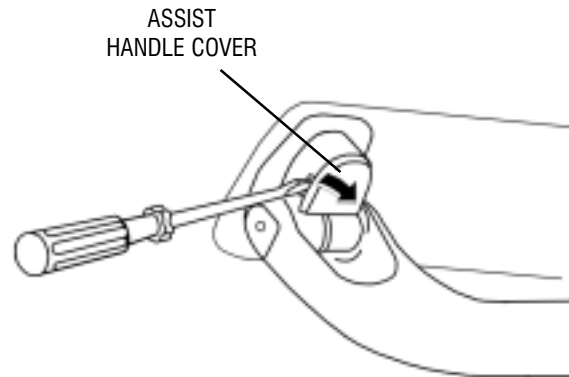
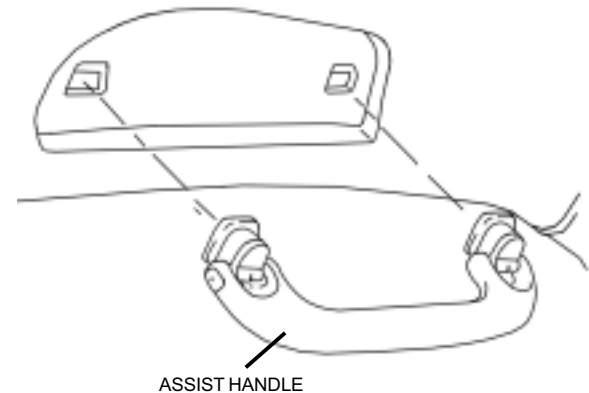
FIGURE 16

1**REMOVE VEHICLE COMPONENTS (CONTINUED)****12. DRIVER SIDE AND PASSENGER SIDE FRONT AND REAR ASSIST HANDLES**

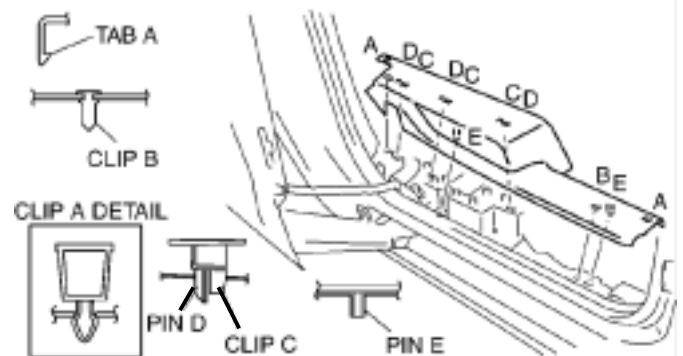
- 1.) INSERT A SMALL FLAT TIP SCREWDRIVER INTO THE ASSIST HANDLE NOTCH AND GENTLY PRY TO REMOVE THE ASSIST HANDLE COVERS. (SEE FIGURE 17)
- 2.) PULL THE ASSIST HANDLE OUTWARD AND REMOVE IT. (SEE FIGURE 18)

WARNING:

THE SIDE AIR BAG SENSOR IS ATTACHED TO THE LOWER PART OF THE B-PILLAR. WHEN WORKING AROUND THE B-PILLAR, AVOID EXCESSIVE IMPACT TO THE LOWER PART OF THE B-PILLAR.

**FIGURE 17****FIGURE 18****13. REAR DRIVER SIDE AND PASSENGER SIDE DOOR SCUFF PLATES**

- 1.) PULL THE REAR SCUFF PLATE UPWARD WHILE DETACHING TABS A, DETACH CLIPS B AND C, AND PINS D AND E FROM THE BODY, AND THEN REMOVE THE REAR SCUFF PLATE. (SEE FIGURE 19)

**FIGURE 19**

1 REMOVE VEHICLE COMPONENTS (CONTINUED)

CAUTION:

BEFORE PROCEEDING WITH THE FOLLOWING STEPS, SPREAD A PROTECTIVE CLOTH OVER THE SEAT AND FLOOR AREA .

14. DRIVER SIDE AND PASSENGER SIDE B-PILLAR LOWER TRIMS

- 1.) PARTIALLY PEEL BACK THE SEAMING WELT.
- 2.) FIRST PULL THE TOP HALF OF THE B-PILLAR LOWER TRIM OUTWARD (A) THEN PULL THE LOWER HALF OF THE TRIM OUTWARD AND DETACH CLIP (C) AND LOCATOR PIN (B). (SEE FIGURE 20)
- 4.) REMOVE THE B-PILLAR LOWER TRIM. (SEE FIGURE 20)

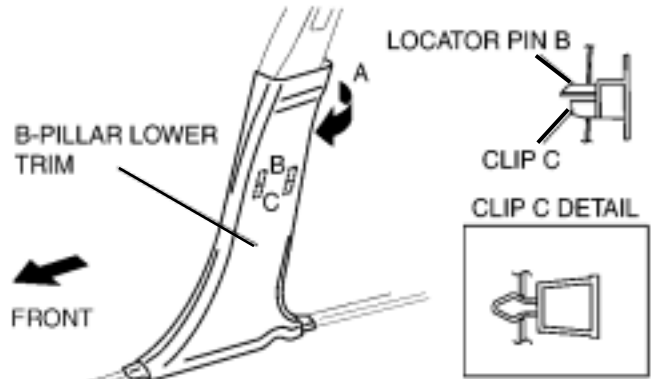


FIGURE 20

15. DRIVER SIDE AND PASSENGER SIDE B-PILLAR SEAT BELT ADJUSTER ANCHORS

CAUTION:

THE ELR (EMERGENCY LOCKING RETRACTOR) HAS A SPRING THAT WILL UNWIND IF THE RETRACTOR COVER IS REMOVED. THE SPRING CANNOT BE REWOUND BY HAND. IF THIS OCCURS, THE ELR WILL NOT WORK PROPERLY. THEREFORE, DO NOT DISASSEMBLE THE RETRACTOR.

- 1.) USE FIBER STICK TO REMOVE THE BOLT COVER. (SEE FIGURE 21)
- 2.) REMOVE THE BOLT THEN REMOVE THE FRONT SEAT BELT FROM B-PILLAR.

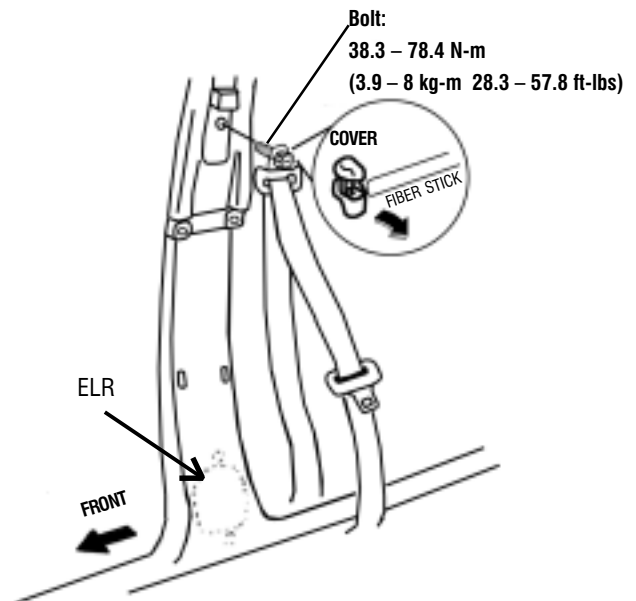


FIGURE 21

CAUTION:

BEFORE PROCEEDING WITH THE FOLLOWING STEPS, SPREAD A PROTECTIVE CLOTH OVER THE SEAT AND FLOOR AREA .

16. B-PILLAR UPPER TRIM

- 1.) PARTIALLY PEEL BACK THE SEAMING WELT. NOTE: BE CAREFUL NOT TO TOUCH ADHESIVE.
- 2.) PULL THE B-PILLAR UPPER TRIM OUTWARD AND DETACH CLIPS A AND LOCATOR PIN B.
- 3.) DETACH THE TAB FROM THE BODY AND REMOVE THE B-PILLAR UPPER TRIM. (SEE FIGURE 22)

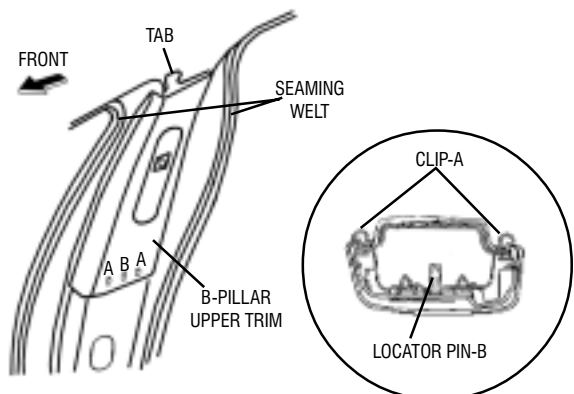


FIGURE 22

1 REMOVE VEHICLE COMPONENTS (CONTINUED)

17. MOONROOF TRIM

- 1.) REMOVE MOONROOF TRIM RING FROM HEADLINER. (SEE FIGURE 23)
- 2.) LOOSEN THE FRONT AND REAR METAL BRACKETS BY CAREFULLY PRYING BACK THE TABS.

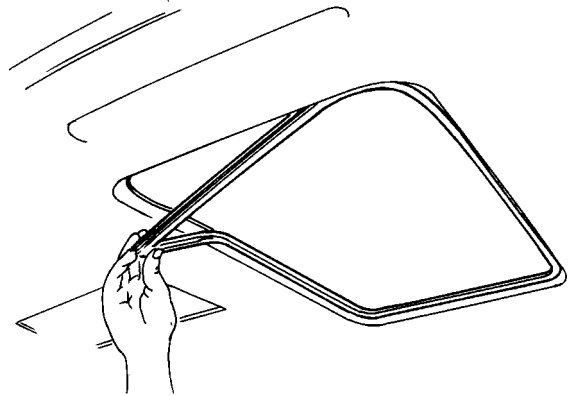


FIGURE 23

2 HEADLINER PREPARATION

- 1.) ALIGN THE TEMPLATE (1) BETWEEN THE MOONROOF OPENING (2) AND THE DOME LIGHT (SEE FIGURE 24) AND TAPE IN PLACE
- 2.) USING A MARKER, CAREFULLY TRACE THE DVD CUTOUT AREA (3) ON THE HEADLINER. REMOVE THE TEMPLATE.

CAUTION:

BEFORE PROCEEDING WITH THE FOLLOWING STEP MAKE SURE THE MOONROOF SUNSHADE IS CLOSED.

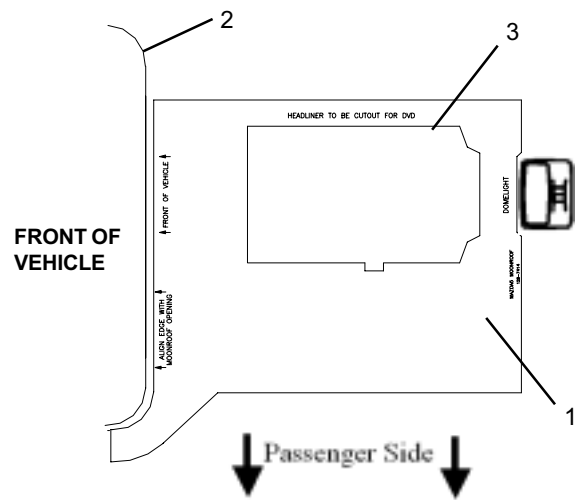


FIGURE 24

- 3.) USING A SHARP UTILITY KNIFE, CAREFULLY CUT THE HEADLINER ALONG THE LINES TRACED ON THE HEADLINER (1) AND REMOVE THE CUTOUT MATERIAL. (SEE FIGURE 25)

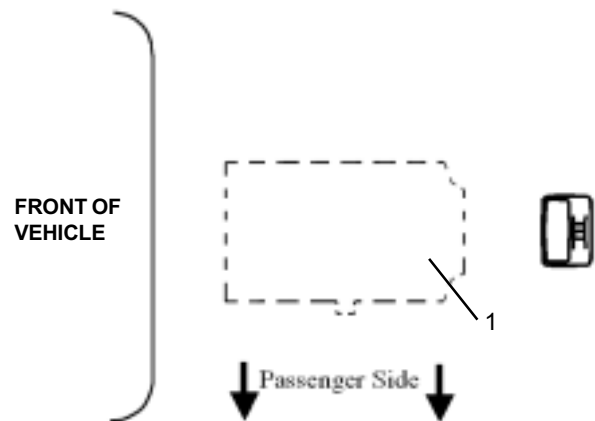


FIGURE 25

3 INSTALL THE DVD ASSEMBLY BRACKETS

1. INSERT THE TWO TABS ON THE FORWARD SIDE OF THE TOP DVD MOUNTING BRACKET (1) INTO THE TWO HOLES (2) IN THE ROOF BOW AS SHOWN. (SEE FIGURE 26)

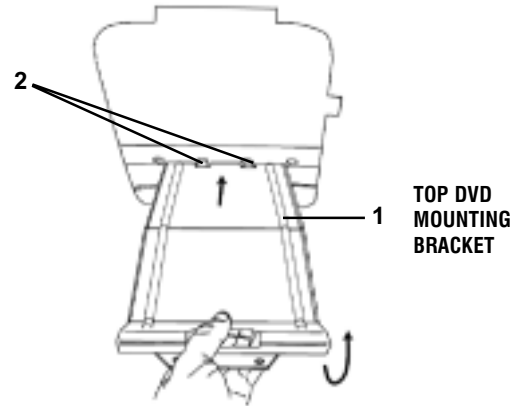


FIGURE 26

2. WITH THE TOP DVD MOUNTING BRACKET TABS IN-PLACE, PUSH THE REAR SIDE OF THE BRACKET (1) UPWARD AND USE THE SUPPLIED TWO SELF-DRILLING SCREWS (2) TO SECURE THE BRACKET TO THE ROOF BOW(3). (SEE FIGURE 27)

NOTE: USING A POWERED SCREWDRIVER WILL MAKE INSTALLATION EASIER.

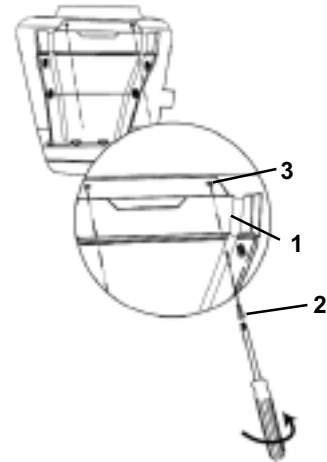


FIGURE 27

3. WITH THE TOP DVD MOUNTING BRACKET INSTALLED (1), SLIDE THE THREE TABS (2) ON THE FORWARD SIDE OF THE BOTTOM DVD MOUNTING BRACKET (3) SO THAT THEY GRIP THE ROOF BOW (4). (SEE FIGURE 28)

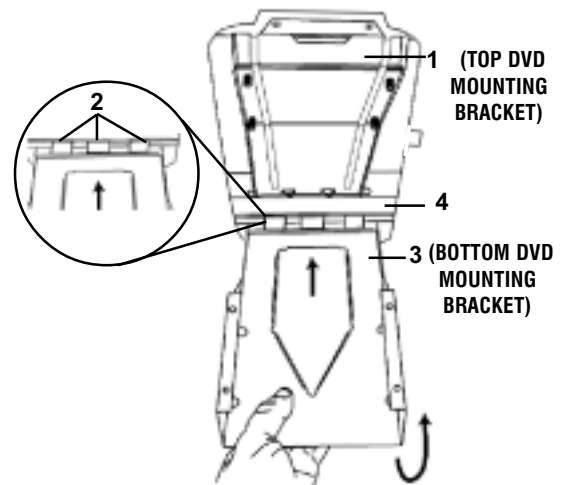


FIGURE 28

3 INSTALL THE DVD ASSEMBLY BRACKETS (CONTINUED)

4. WITH THE BOTTOM DVD MOUNTING BRACKET TABS IN PLACE, PUSH THE REAR SIDE OF THE BRACKET UPWARD (1), APPLY LOCTITE USING AN 8mm SOCKET OR A NUTDRIVER TO TIGHTEN DOWN THE FOUR M5 NUTS (2) TO SECURE. (SEE FIGURE 29)
5. BEFORE REMOVING BACKING FROM TWO FOAM BLOCKS, PLACE EACH AT LOCATION SHOWN. EDGE OF FOAM BLOCKS SHOULD TOUCH FRONT VERTICAL EDGE OF BOTTOM BRACKET AND BE ON OUTER TANG ONLY. FOAM SHOULD NOT OVERLAP ON CENTER TANG. (SEE FIGURE 29)
6. REMOVE BACKING AND PLACE ADHESIVE SIDE DOWN ON HEADLINER MAKING SURE FOAM BLOCK IS LOCATED PROPERLY. FOAM PADS SHOULD BE 60mm (APPROX 2-2/8") APART.

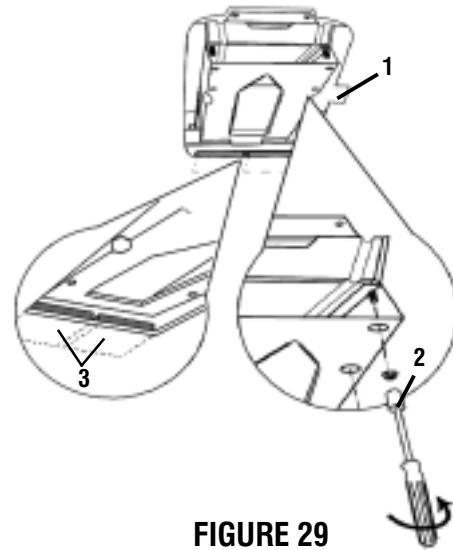


FIGURE 29

4 ROUTE THE DVD MAIN WIRING HARNESS

NOTE: Refer to System Headliner Wiring Overview (Figure 32) for the following wire routing procedures.

WARNING:

KEEP CLEAR OF THE SIDE AIR BAG CURTAIN AND AVOID EXCESSIVE IMPACT.

1. ROUTE THE DVD MAIN WIRE HARNESS AND THE DOME LIGHT HARNESS ABOVE HEADLINER TO THE DVD BRACKET ASSEMBLY. (SEE FIGURE 30)
2. ROUTE THE 8-PIN CONNECTOR FROM DVD WIRE HARNESS THRU THE PASSENGER PASS-THRU-HOLE TO THE DRIVER SIDE PASS-THRU-HOLE. (SEE FIGURE 31) PULL HARNESS UNTIL TAPED Y-JOINT OF HARNESS TOUCHES SIDE OF BRACKET TO ALLOW EASE OF ASSEMBLY OF DVD ASSEMBLY. PULL DOME LIGHT HARNESS UNTIL APPROX 2 INCHES EXTENDS DOWN BELOW BRACKET.
3. USING THE SUPPLIED FOAM TAPE STRIPS SECURE BOTH HARNESSES TO HEADLINER, WORKING FROM BRACKET TO FRONT CORNER (A-PILLAR) AREA OF HEADLINER.

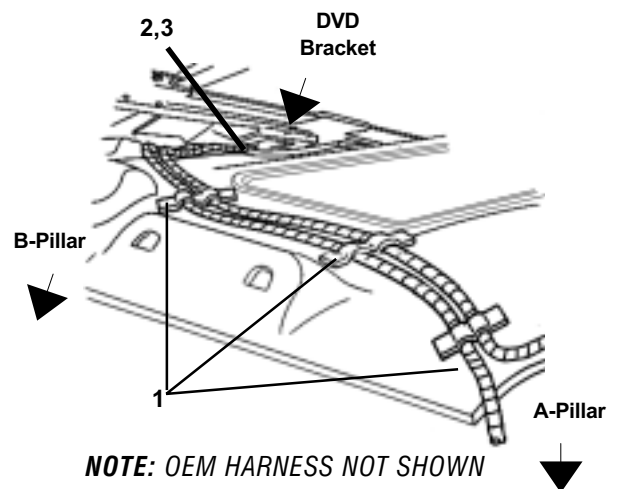


FIGURE 30

NOTE: WHILE SECURING THE HARNESS WITH FOAM STRIPS ENSURE HARNESS IS FLAT AS POSSIBLE TO PREVENT BULGING OF HEADLINER. PAY EXTRA ATTENTION TO MOONROOF VEHICLE TO PREVENT INTERFERENCE BETWEEN MOONROOF SUNSHADE AND HARNESSES WHEN SLID TO REAR MOST POSITION

NOTE: BE EXTREMELY CAREFUL NOT TO DAMAGE THE HEADLINER. WHILE ROUTING THE WIRING HARNESSES AND WHILE TAPING THE HARNESSES DOWN. THE HEADLINER WILL WRINKLE IF PULLED OR BENT DOWNWARD.

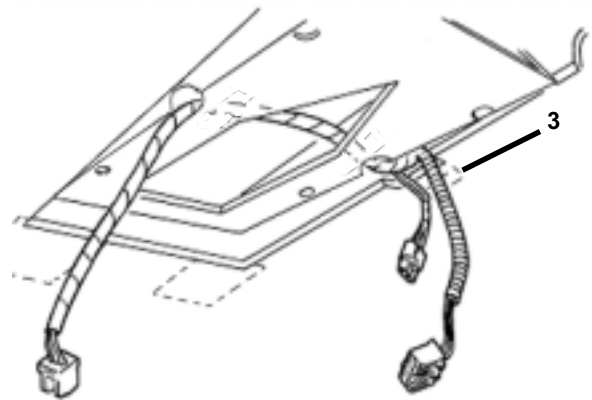
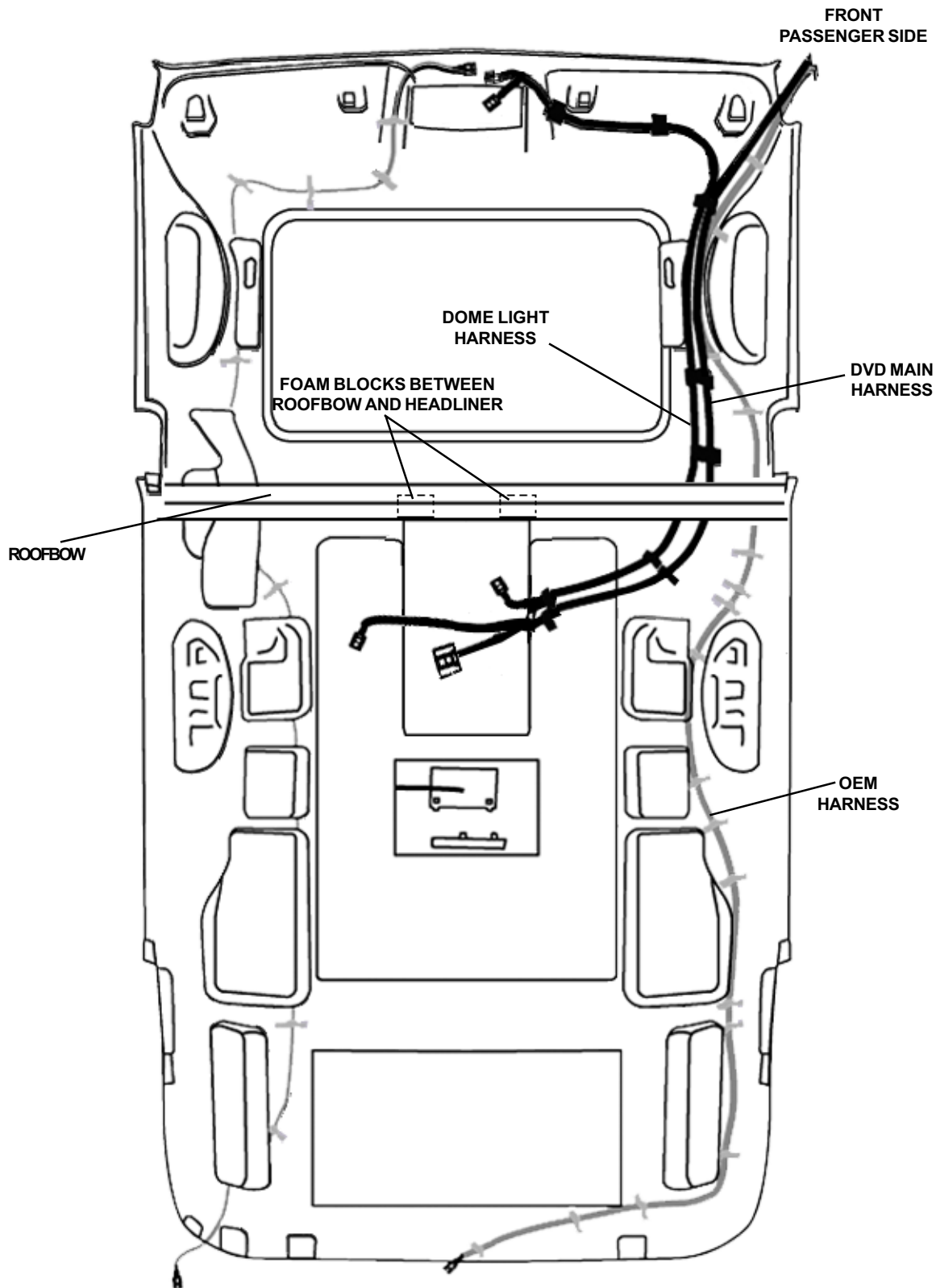


FIGURE 31

4 ROUTE THE DVD MAIN WIRING HARNESS (CONTINUED)



SYSTEM HEADLINER WIRING OVERVIEW

FIGURE 32

4 ROUTE THE DVD MAIN WIRING HARNESS (CONTINUED)

4. CONTINUE ROUTING THE DVD MAIN WIRING HARNESS FROM THE TOP OF THE A-PILLAR (1) DOWN TO THE GLOVE BOX AREA (2) AND SECURE USING THREE PIECES OF FOAM TAPE (3). (SEE FIGURE 33)

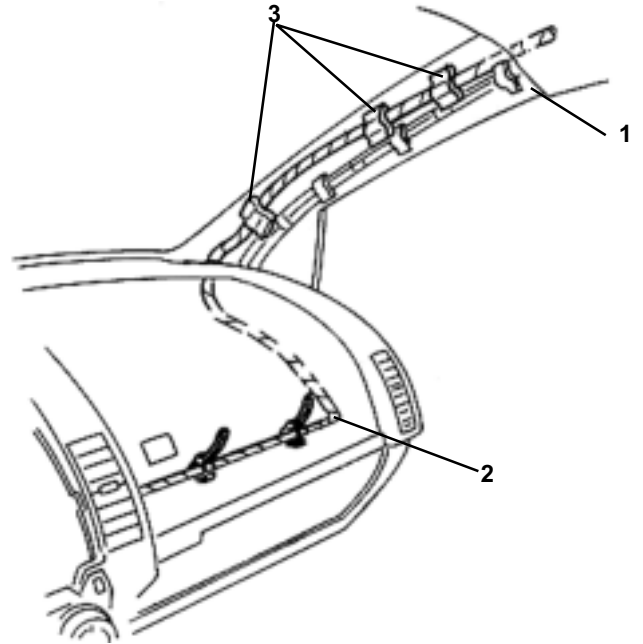


FIGURE 33

5. ROUTE THE DOME LIGHT HARNESS FROM THE TOP OF THE A-PILLAR (1) TO THE FRONT DOME LIGHT OPENING (2) AND SECURE USING TWO PIECES OF FOAM TAPE (3). (SEE FIGURE 34)
6. CONNECT THE DVD DOME LIGHT HARNESS (4) TO THE VEHICLE DOME LIGHT HARNESS (5). (SEE FIGURE 34)

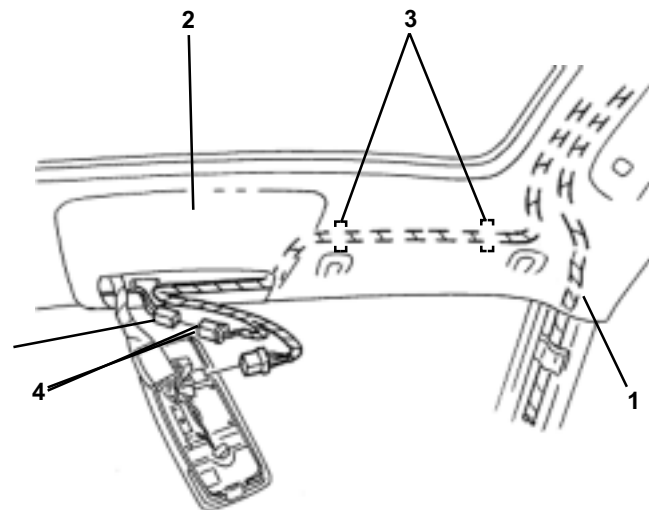


FIGURE 34

NOTE: BE EXTREMELY CAREFUL NOT TO DAMAGE THE HEADLINER WHILE ROUTING THE WIRING HARNESSES AND WHILE TAPING THE HARNESSES DOWN.

5 MAKING HARNESS CONNECTIONS IN RADIO OPENING

1. CONNECT THE POWER HARNESS TO THE MAIN DVD HARNESS (1) AND ROUTE THROUGH THE GLOVE BOX OPENING TO THE RADIO OPENING.
2. PLACE THE FM MODULATOR (FROM MAIN KIT 0000-8F-F40) IN THE AREA JUST BEFORE THE MAIN DVD HARNESS IS PASSED THROUGH INTO THE RADIO CAVITY. (SEE FIGURES 35 AND 36)

NOTE: MAKE SURE THERE IS ENOUGH SLACK TO MAKE CONNECTIONS TO THE FM MODULATOR AND CIGARETTE LIGHTER POWER. (SEE FIGURES 36, 39 AND 41)

3. CONNECT THE FM MODULATOR FEMALE ANTENNA PLUG (1) TO THE VEHICLE ANTENNA MALE PLUG (2). BE SURE TO ALLOW ENOUGH SLACK TO CONNECT THE FM MODULATOR MALE ANTENNA PLUG (3) TO VEHICLE AUDIO UNIT. (SEE FIGURE 36)

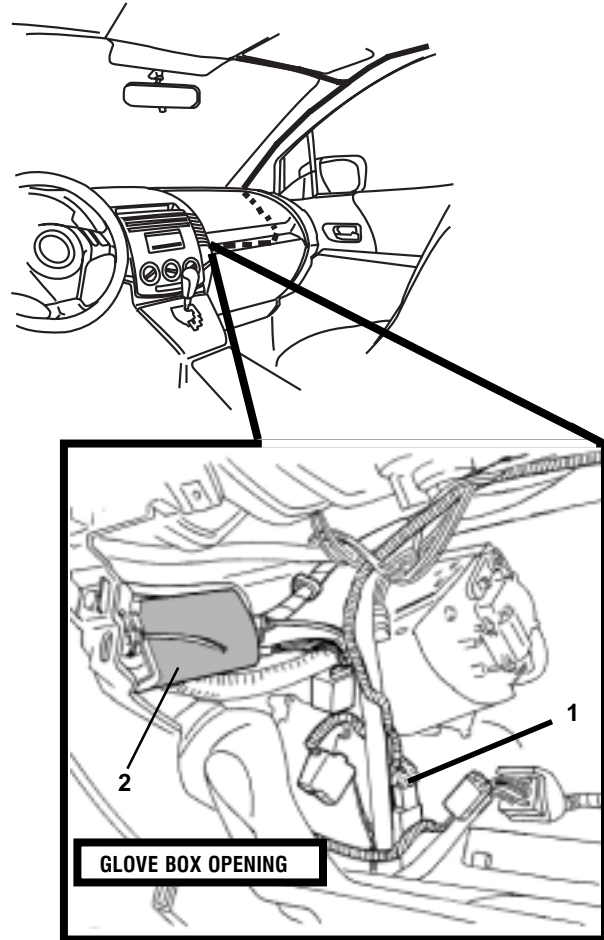


FIGURE 35

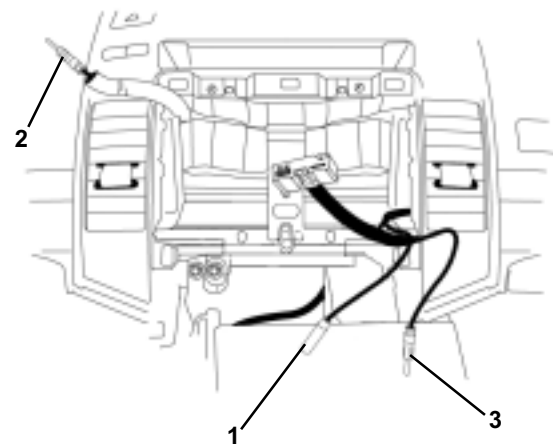


FIGURE 36

5 MAKING HARNESS CONNECTIONS IN RADIO OPENING (CONTINUED)

4. LOOP THE EXCESS DVD MAIN HARNESS IN THE GLOVE BOX AREA. (AS SHOWN IN FIGURE 38) SECURE THE HARNESS USING 6 THICK TIE WRAPS IN THE LOCATIONS INDICATED (1).

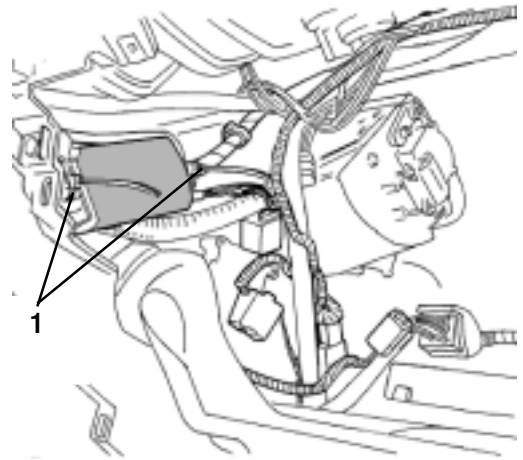


FIGURE 37

5. USING THE TWO MOUNTING HOLES ON THE SIDES OF THE FM MODULATOR SECURE THE FM MODULATOR TO THE HARNESS LOCATED ON THE RIGHT SIDE OF THE RADIO OPENING ABOVE GLOVE BOX USING 2 THIN TIE WRAPS (1). (SEE FIGURE 37)
6. RECONNECT THE VEHICLE AUDIO HARNESS TO THE AUDIO UNIT. CONNECT THE MALE PLUG FROM FM MODULATOR TO THE ANTENNA INPUT OF THE AUDIO UNIT. REINSTALL AUDIO UNIT INTO CENTER PANEL.

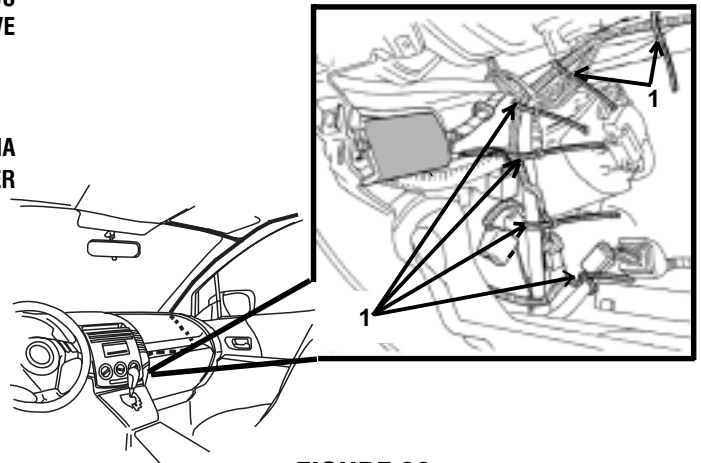


FIGURE 38

6 MAKING POWER HARNESS CONNECTIONS

1. USING PLIERS, ATTACH ONE SUPPLIED 3M CRIMP LOCK TO THE 12 Vdc POWER SOURCE BLUE WIRE AND ANOTHER ONE TO THE BLACK WIRE 2" FROM THE END OF THE CIGARETTE LIGHTER CONNECTOR. (SEE FIGURES 39 AND 40)

NOTE: BE SURE THE 3M CRIMP LOCK IS PROPERLY AND SECURELY INSTALLED.

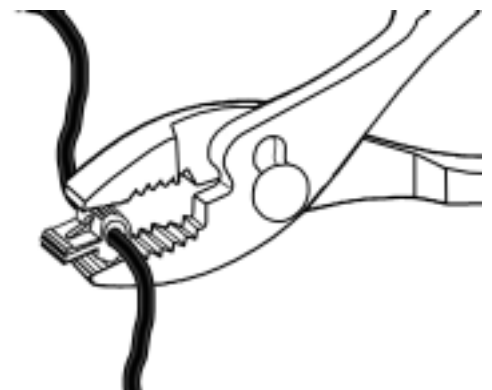


FIGURE 39

6 MAKING POWER HARNESS CONNECTIONS (CONTINUED)

2. CONNECT THE POWER HARNESS RED WIRE TO THE 3M CRIMP LOCK ON THE VEHICLE BLUE WIRE. ATTACH THE BLACK WIRE TO THE 3M CRIMP LOCK ON THE VEHICLE BLACK WIRE.
3. REINSTALL THE CIGARETTE LIGHTER CONNECTOR TO FRONT CONSOLE.
4. BUNDLE THE POWER HARNESS AND POWER SOURCE WITH THE DVD MAIN HARNESS IN THE GLOVE BOX OPENING AND USE A TIE WRAP TO SECURE IT IN A CONVENIENT LOCATION.

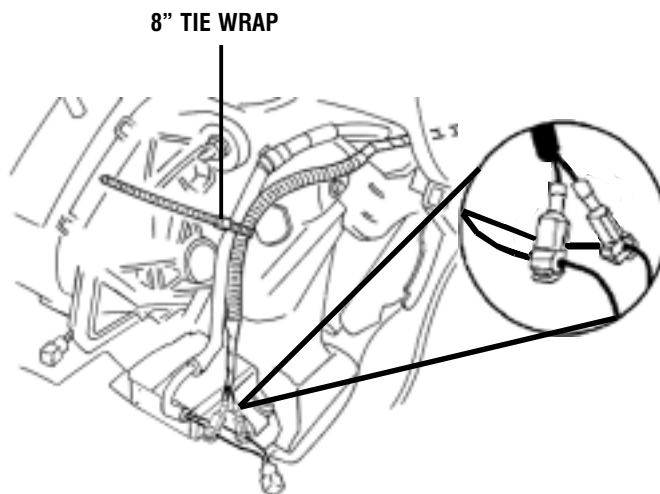


FIGURE 40

7 ATTACH THE DVD ASSEMBLY AND TRIM RING

1. ATTACH THE DVD ASSEMBLY TO THE TRIM RING USING A SCREWDRIVER AND THE 11 TRIM RING SCREWS. (SEE FIGURE 36)

NOTE: DO NOT OVER-TIGHTEN THE SCREWS.

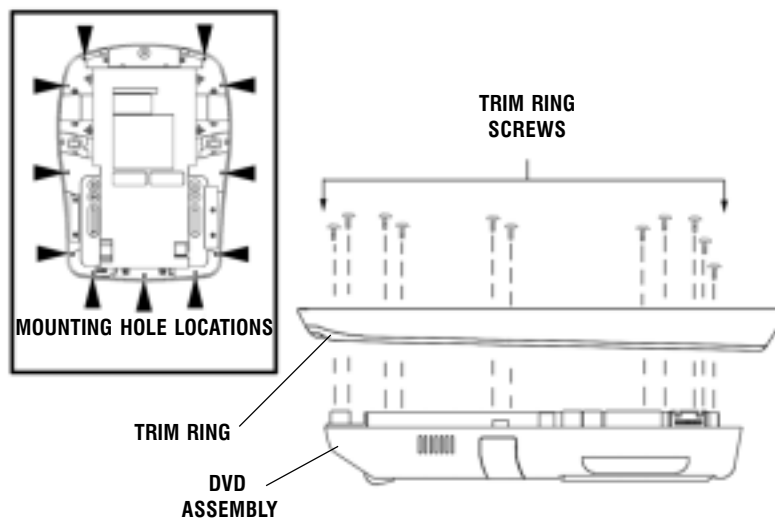


FIGURE 41

8 MOUNT THE DVD ASSEMBLY TO THE MOUNTING BRACKET

1. CONNECT THE TWO DVD MAIN HARNESS CONNECTORS AND THE DOME LIGHT CONNECTOR TO THE DVD ASSEMBLY. (SEE FIGURE 42)
2. MOUNT THE DVD ASSEMBLY TO THE BRACKET USING A SCREWDRIVER AND THE FIVE DVD ASSEMBLY MOUNTING SCREWS AS DESCRIBED IN THE FOLLOWING. (SEE FIGURES 43 AND 44)
 - a.) HOLD THE DVD ASSEMBLY UP AGAINST THE HEADLINER
NOTE: BE CAREFUL NOT TO TRAP THE HARNESS ES BETWEEN THE DVD ASSEMBLY AND THE MOUNTING BRACKET.
 - b.) LOOSELY INSTALL TWO SCREWS IN THE SLOTTED HOLES CLOSEST TO THE SCREEN (3)
 - c.) LOOSELY INSTALL THE SECOND TWO SCREWS IN THE SECOND ROUND HOLES CLOSEST TO THE DOME LIGHTS (4)
 - d.) LOOSELY INSTALL THE FIFTH SCREW INTO THE SINGLE HOLE NEAR THE DVD SLOT (5)
NOTE: IF THE SCREW DOES NOT REACH THE BRACKET THREADS, TIGHTEN SCREWS (4) UNTIL SCREW (5) REACHES THREAD IN BRACKET.
 - e.) TIGHTEN DOWN ALL FIVE SCREWS. (SEE FIGURE 44)
3. INSERT SUPPLIED RUBBER PLUG (2) INTO REAR SCREW HOLE. (SEE FIGURE 43)

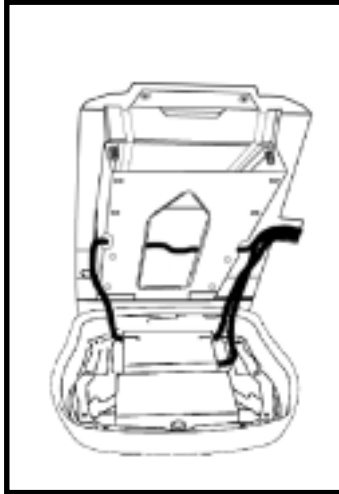


FIGURE 42

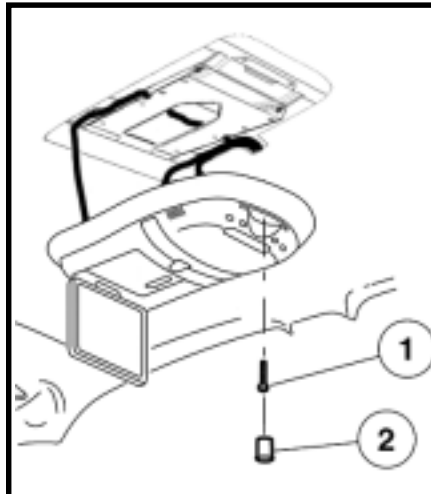


FIGURE 43

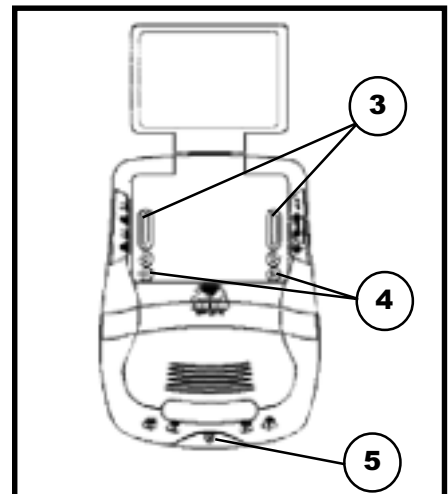


FIGURE 44

9 TESTING THE SYSTEM

1. INSTALL TWO BATTERIES INTO THE REMOTE CONTROL AND 2 BATTERIES INTO EACH OF THE HEADPHONES.
2. TURN THE IGNITION SWITCH TO THE ACC OR ON POSITION.
3. TURN THE VEHICLE RADIO ON.
4. PRESS THE [POWER] BUTTON ON THE DVD PLAYER. VERIFY THAT THE BACKLIGHTING ILLUMINATES AND THE POWER SWITCH ILLUMINATES BRIGHT RED.
5. INSERT A DVD INTO THE DVD PLAYER AND VERIFY THAT THE DVD STARTS ROTATING.
6. PRESS THE [PLAY] BUTTON ON THE DVD PLAYER. VERIFY THAT DVD VIDEO IS DISPLAYED ON THE SCREEN.
7. PRESS AND RELEASE THE [FM TRANSMITTER ON/OFF] BUTTON ON THE REMOTE CONTROL.
8. PRESS THE [SELECT] BUTTON ON THE REMOTE CONTROL UNTIL 88.3 MHZ IS SHOWN ON THE SCREEN.
TUNE THE RADIO TO 88.3 MHZ. VERIFY THAT AUDIO FROM THE DVD CAN BE HEARD THROUGH THE SPEAKERS.
9. SHUT OFF SPEAKER AUDIO BY PRESSING AND RELEASING THE [FM TRANSMITTER ON/OFF] BUTTON ON THE REMOTE CONTROL.
10. ON THE HEADPHONES, PRESS AND RELEASE THE "POWER" BUTTON TO TURN THE HEADPHONES ON
11. LISTEN TO THE DVD THROUGH THE HEADPHONES.
12. PRESS THE [STOP] BUTTON ON THE DVD PLAYER AND VERIFY THAT THE DVD STOPS PLAYING.
13. CHECK THE DVD DOME LIGHT OPERATION.
 - VERIFY THE LIGHTS REMAIN OFF AT ALL TIMES WHEN THE DVD DOME LIGHT SWITCH IS IN THE OFF POSITION.
 - VERIFY THE LIGHTS REMAIN ON AT ALL TIMES WHEN THE DVD DOME LIGHT SWITCH IS IN THE ON POSITION.
 - VERIFY THE LIGHTS REMAIN ON ONLY WHEN THE INTERIOR LIGHTS ARE ON WHEN THE SWITCH IS IN THE AUTO POSITION.

NOTE: DO NOT LEAVE THE VEHICLE UNATTENDED WITH THE DOME LIGHT SWITCH IN THE ON POSITION, AS THIS COULD RESULT IN A DISCHARGED BATTERY.

10 INSTALLATION OF REMOVED COMPONENTS

1. TRIM EXCESS OFF ALL TIE WRAPS.
2. REINSTALL IN REVERSE ORDER ALL TRIM PIECES REMOVED DURING INSTALLATION.
3. PLACE USER GUIDE IN VEHICLE GLOVE-BOX.
4. REPROGRAM RADIO PRESETS.
5. VERIFY EACH REINSTALLED COMPONENT FOR PROPER FIT AND FUNCTION.
6. USING RUBBING ALCOHOL, REMOVE FINGERPRINTS, SMUDGES, DIRT, ETC. FROM DVD PLAYER.

11 SYSTEM WIRING DIAGRAM

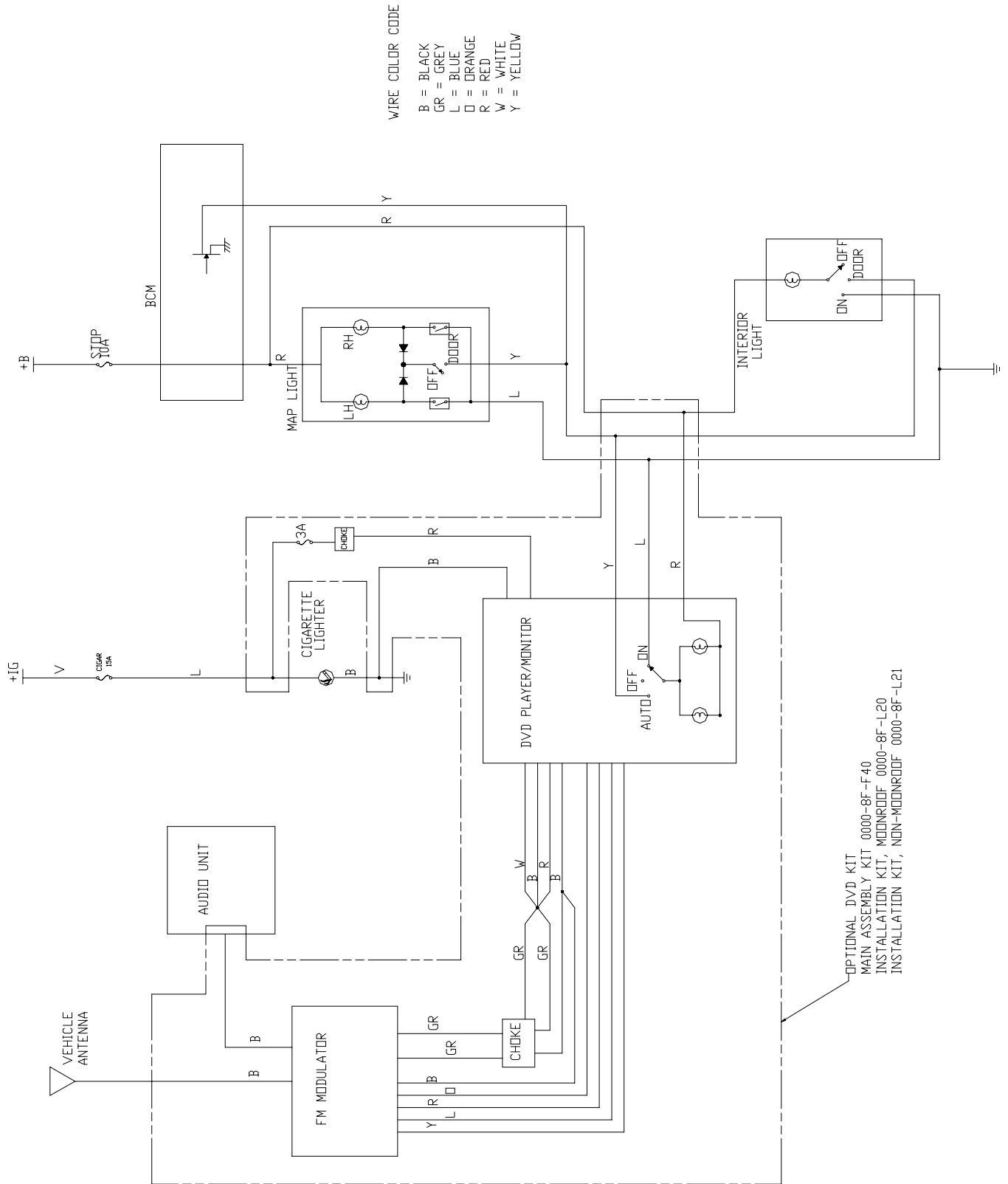


FIGURE 45

TROUBLESHOOTING GUIDE

SYMPTOM	PROBABLE CAUSE	FIX
<p>SYSTEM WILL NOT OPERATE.</p> <p>DOVE LIGHTS WILL NOT OPERATE IN ANY MODE.</p> <p>DOVE LIGHTS DO NOT OPERATE WHEN THE INTERIOR LIGHTS ARE ON.</p> <p>ONE OR MORE DVD POD DOVE LIGHTS DO NOT ILLUMINATE.</p> <p>NO SOUND OR DISTORTED SOUND.</p>	<p>SYSTEM NOT RECEIVING POWER.</p> <p>SYSTEM NOT RECEIVING GROUND.</p> <p>DVD UNIT DEFECTIVE.</p> <p>DOVE LIGHTS NOT RECEIVING POWER.</p> <p>DOVE LIGHTS NOT RECEIVING GROUND.</p> <p>FAULTY YELLOW WIRE CONNECTION.</p> <p>FAULTY BULB(S).</p> <p>FM MODULATOR NOT ACTIVATED</p>	<p>CHECK THE BLUE WIRE AT THE CIGARETTE LIGHTER FOR +12VDC WITH THE IGNITION IN ACC.</p> <p>CHECK THE BLACK WIRE AT THE CIGARETTE LIGHTER FOR GOOD GROUND CONNECTION.</p> <p>REPLACE DVD UNIT.</p> <p>CHECK THE RED WIRE AT DOVE LIGHT CONNECTION FOR +12VDC.</p> <p>CHECK THE BLUE WIRE AT DOVE LIGHT CONNECTOR FOR GOOD GROUND CONNECTION.</p> <p>CHECK THE YELLOW WIRE DOVE LIGHT CONNECTION FOR GROUND WHEN THE VEHICLE COURTESY LIGHTS ON.</p> <p>REPLACE THE BULB(S).</p> <p>PRESS FM TRANSMITTER ON/OFF BUTTON ON REMOTE CONTROL</p>