

IGNITION SYSTEM

A3U011818100W02

IGNITION COIL INSPECTION

Igniter

- Carry out spark test. (See 01-03A-60 Spark Test.) (See 01-03B-59 Spark Test.)

Ignition Coil Operation Inspection

1. Remove ignition coils, high-tension leads, and spark plugs.
2. Connect the ignition coil, high-tension lead, spark plug, and the battery as shown in the figure.

Caution

- **When connecting the ignition coil, be sure to attach as a female terminal to each terminal. Otherwise, coil terminals may come into contact and the ignition coil could be damaged.**

Note

- Use the high-tension lead and spark plug that function properly.

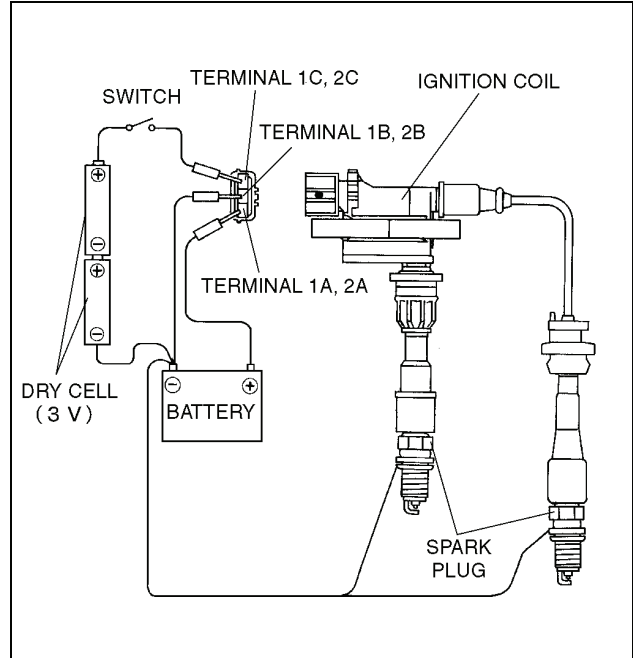
3. Verify that the spark plug produces a strong, pale spark when change the switch off to on.

Warning

- **Do not hold the spark plug, high-tension lead, or ignition coil while inspecting the ignition coil. You may be subjected to a strong shock.**

Note

- No.1 and No.4 cylinders and No.2 and No.3 cylinder are ignited simultaneously.



Z3U0118W003

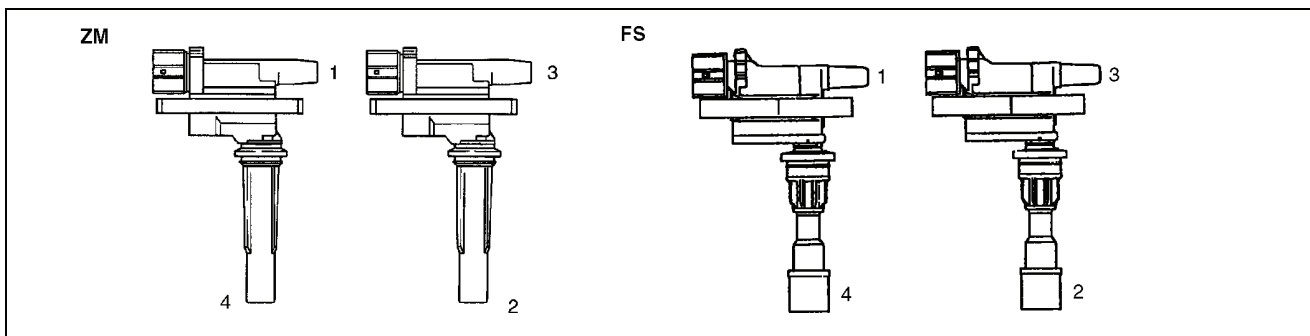
Secondary Coil Winding

1. Remove the ignition coil.
2. Measure the resistance from lead hole 1 to 4, and lead hole 2 to 3 using an ohmmeter.
 - If not as specified, replace the ignition coil.

Specification

ZM 8.0—12.0 kilohms

FS 7.2—10.8 kilohms



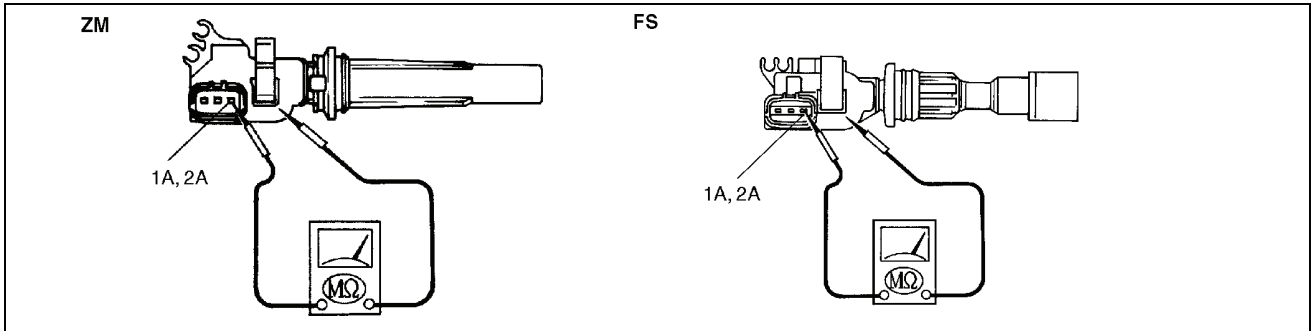
Z3U0118W004

Insulation Resistance of Case

1. Disconnect the high-tension lead. (See 01-18-3 HIGH-TENSION LEAD REMOVAL/INSTALLATION.)
2. Disconnect the ignition coil connector.
3. Measure the insulation resistance from terminal 1A to ignition coil case, and terminal 2A to ignition coil case using an ohmmeter.
 - If not as specified, replace the ignition coil.

IGNITION SYSTEM

Specification
Above 10 megohms



Z3U0118W006

01-18

HIGH-TENSION LEAD REMOVAL/INSTALLATION

A3U011818140W01

Caution

- The high-tension leads must be reinstalled to their original positions. Incorrect installation can damage the leads and cause power loss, and negatively affect the electronic components.

HIGH-TENSION LEAD INSPECTION

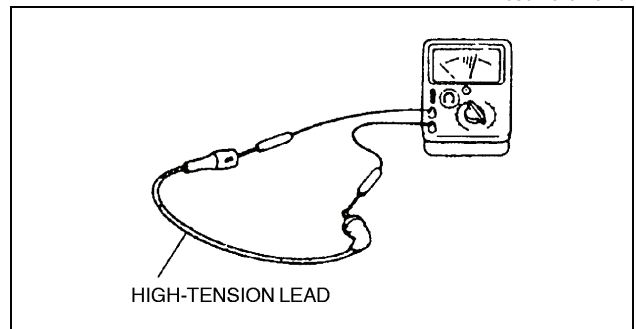
1. Measure the resistance of the high-tension leads using an ohmmeter.
 - If not as specified, replace the high-tension leads.

Specification

(kilohm)

High-tension lead	Engine type	
	ZM	FS
No.1 lead	3.3—7.8	5.6—12.1
No.3 lead	2.9—6.9	1.9—4.0

A3U011818140W02



X3U118WA8